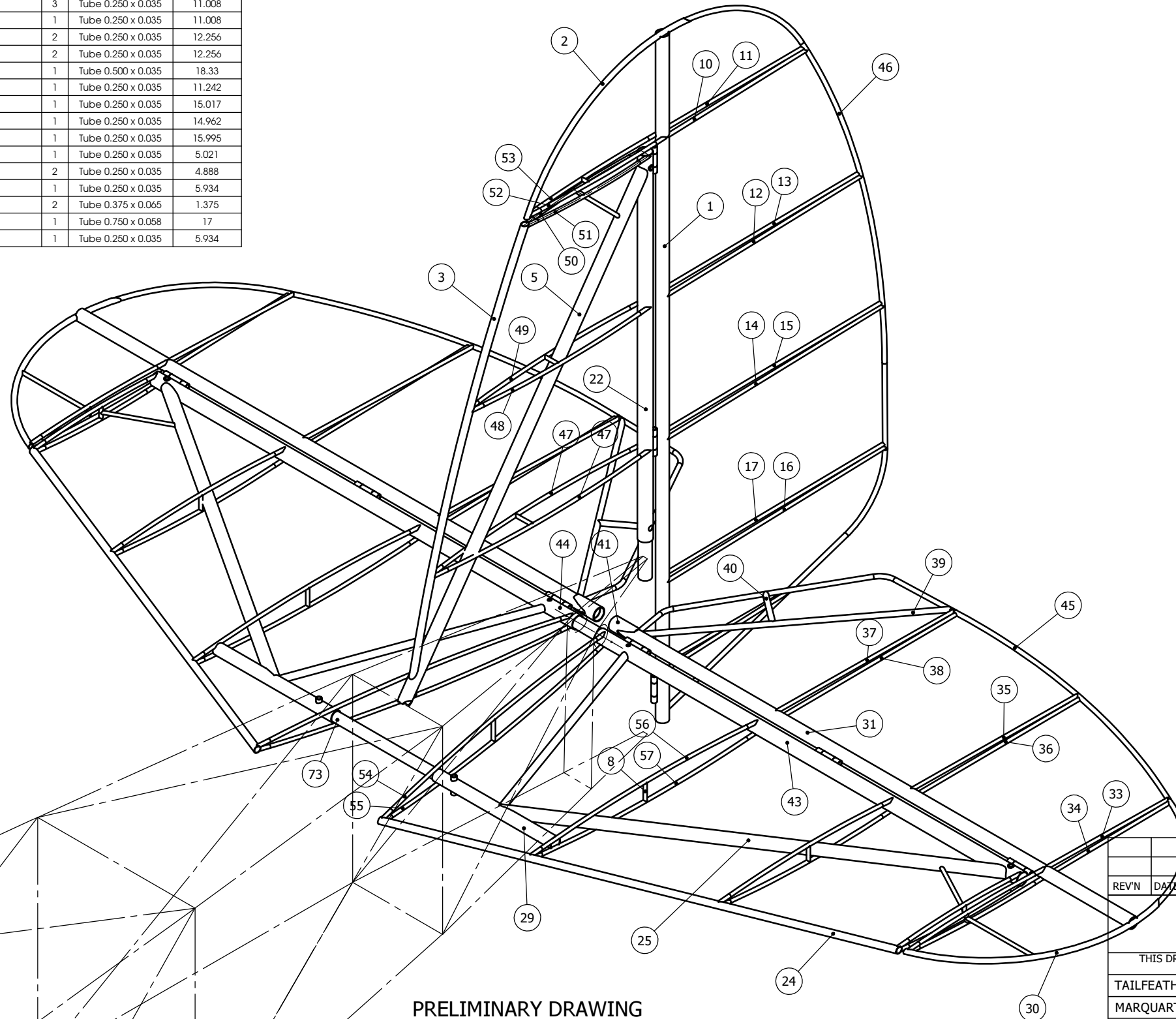


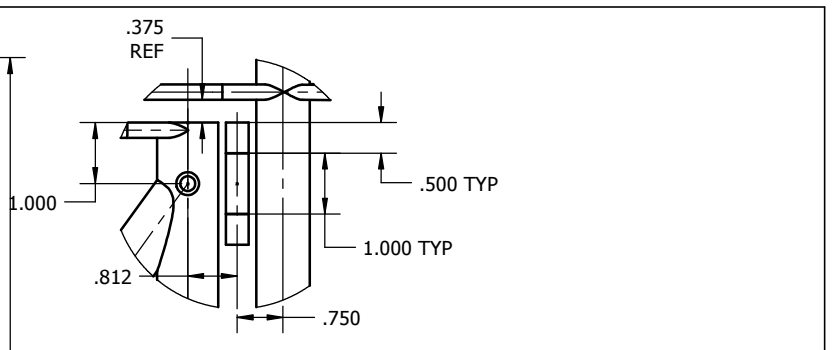
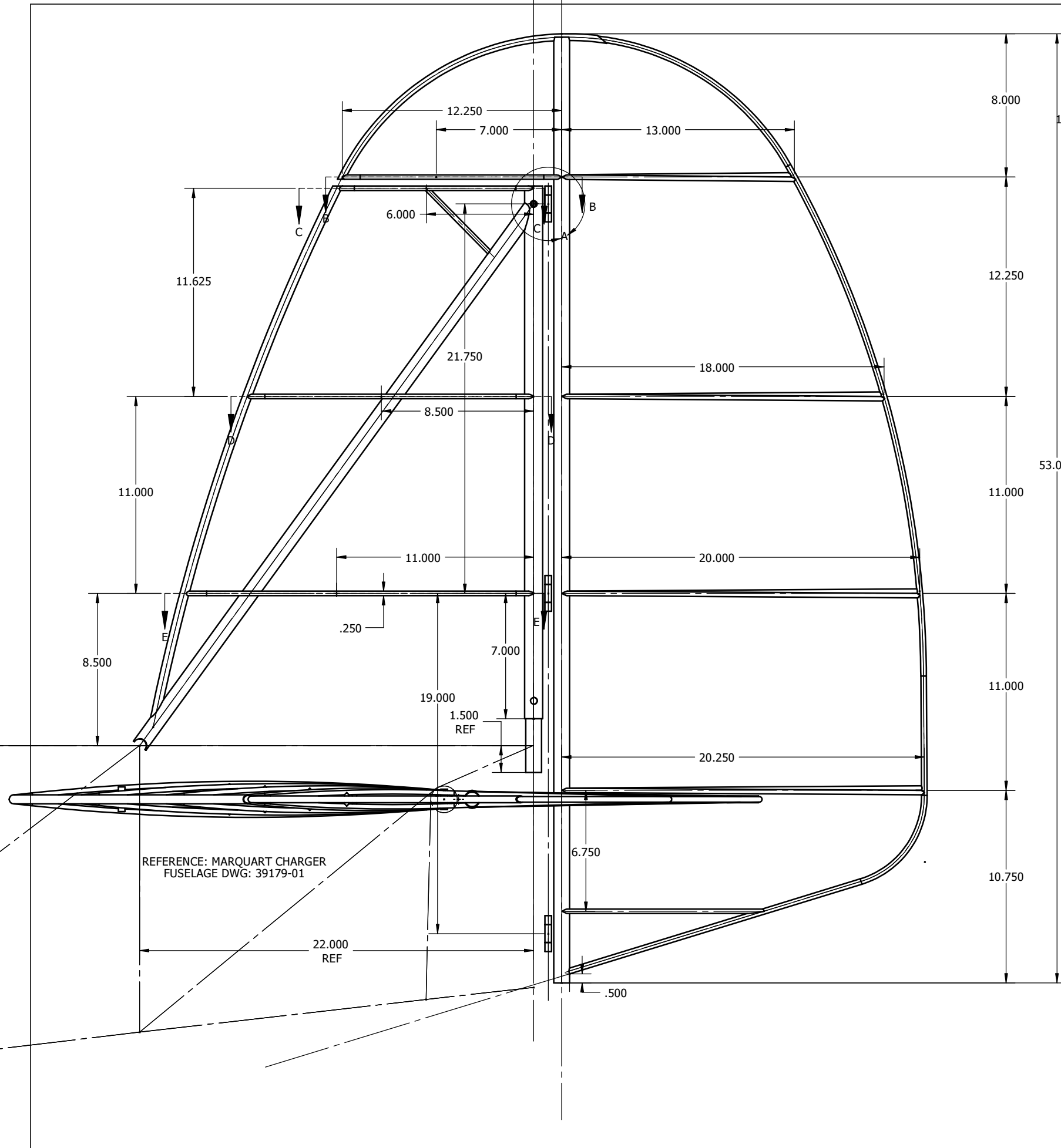
ITEM NO.	PARTNUMBER	QTY.	Description	LENGTH
50		1	Tube 0.250 x 0.035	10.918
51		1	Tube 0.250 x 0.035	10.843
52		1	Tube 0.250 x 0.035	12.247
53		1	Tube 0.250 x 0.035	12.26
54		3	Tube 0.250 x 0.035	24.367
55		1	Tube 0.250 x 0.035	24.367
56		3	Tube 0.250 x 0.035	20.271
57		1	Tube 0.250 x 0.035	20.271
58		3	Tube 0.250 x 0.035	15.516
59		1	Tube 0.250 x 0.035	15.516
60		3	Tube 0.250 x 0.035	11.008
61		1	Tube 0.250 x 0.035	11.008
62		2	Tube 0.250 x 0.035	12.256
63		2	Tube 0.250 x 0.035	12.256
64		1	Tube 0.500 x 0.035	18.33
65		1	Tube 0.250 x 0.035	11.242
66		1	Tube 0.250 x 0.035	15.017
67		1	Tube 0.250 x 0.035	14.962
68		1	Tube 0.250 x 0.035	15.995
69		1	Tube 0.250 x 0.035	5.021
70		2	Tube 0.250 x 0.035	4.888
71		1	Tube 0.250 x 0.035	5.934
72		2	Tube 0.375 x 0.065	1.375
73		1	Tube 0.750 x 0.058	17
74		1	Tube 0.250 x 0.035	5.934

ITEM NO.	PARTNUMBER	QTY.	Description	LENGTH
1		1	Tube 0.875 x 0.035	52.813
2		1	Tube 0.375 x 0.035	18.272
3		1	Tube 0.500 x 0.035	32.017
4		1	Tube 0.875 x 0.035	5
5		1	Tube 0.875 x 0.035	37.159
6		1	Tube 0.250 x 0.035	0.923
7		1	Tube 0.250 x 0.035	1.211
8		3	Tube 0.250 x 0.035	1.5
9		1	Tube 0.250 x 0.035	0.661
10		1	Tube 0.250 x 0.035	13.047
11		1	Tube 0.250 x 0.035	12.928
12		1	Tube 0.250 x 0.035	18.018
13		1	Tube 0.250 x 0.035	17.959
14		1	Tube 0.250 x 0.035	19.995
15		1	Tube 0.250 x 0.035	19.983
16		1	Tube 0.250 x 0.035	20.233
17		1	Tube 0.250 x 0.035	20.244
18		1	Tube 0.250 x 0.035	11.288
19		1	Tube 0.250 x 0.035	11.306
20		18	Tube 0.375 x 0.065	0.5
21		9	Tube 0.375 x 0.065	1
22		1	Tube 1.000 x 0.035	29.75
23		3	Tube 0.375 x 0.065	1.125
24		2	Tube 0.500 x 0.035	35.686
25		2	Tube 0.875 x 0.035	32.625
26		1	Tube 0.500 x 0.035	18.33
27		2	Tube 0.250 x 0.035	1
28		2	Tube 0.250 x 0.035	1.25
29		2	Tube 0.875 x 0.058	10.5
30		2	Tube 0.375 x 0.035	18.969
31		2	Tube 0.875 x 0.035	45.797
32		2	Tube 0.250 x 0.035	0.75
33		1	Tube 0.250 x 0.035	11.242
34		2	Tube 0.250 x 0.035	10.932
35		1	Tube 0.250 x 0.035	15.017
36		1	Tube 0.250 x 0.035	14.962
37		2	Tube 0.250 x 0.035	15.986
38		1	Tube 0.250 x 0.035	15.995
39		2	Tube 0.375 x 0.035	19.694
40		2	Tube 0.375 x 0.035	3.283
41		2	Tube 1.000 x 0.058	2
42		2	Tube 0.250 x 0.035	1.75
43		2	Tube 1.000 x 0.035	37.5
44		1	Tube 0.875 x 0.058	10
45		2	Tube 0.313 x 0.035	61.594
46		1	Tube 0.313 x 0.035	73.723
47		2	Tube 0.250 x 0.035	19.428
48		1	Tube 0.250 x 0.035	16.015
49		1	Tube 0.250 x 0.035	16.015

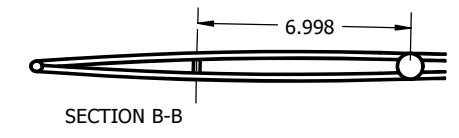


PRELIMINARY DRAWING

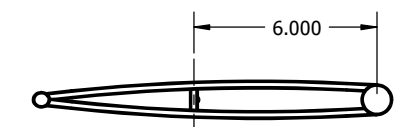
REV'N	DATE	DRAWN	APPRVD	DESCRIPTION
<b>VR3 ENGINEERING LTD</b>				
MECHANICAL ENGINEERING & CUSTOM MACHINE DESIGN STRATFORD, ONTARIO, CANADA				
THIS DRAWING OR THE INFORMATION CONTAINED HEREIN MAY NOT BE REPRODUCED WITHOUT PERMISSION FROM VR3 ENGINEERING				
TAILFEATHER WELDMENT: TUBE KIT ASSEMBLY				
MARQUART CHARGER MA-5				
ISOMETRIC VIEW				
DRAWN: JJ	DATE: MAY 2017	PROJECT NO.	DRAWING NO.	REV NO.
'C' SCALE: 1:6		714-06	39180 sht1	X



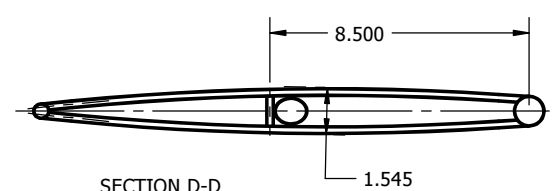
DETAIL A  
SCALE 1 : 2



SECTION B-B



SECTION C-C



SECTION D-D

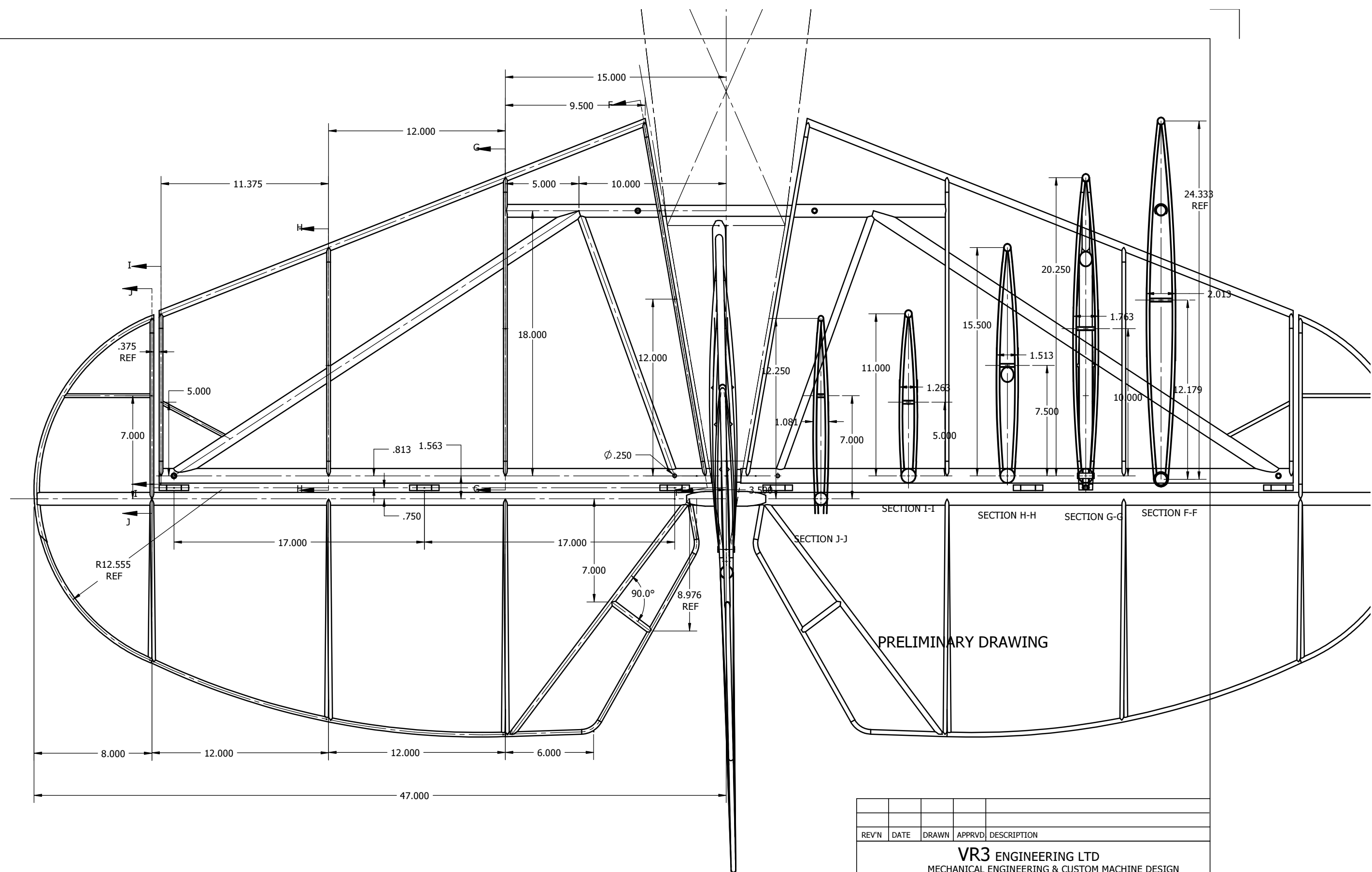


SECTION E-E

PRELIMINARY DRAWING

REFERENCE: MARQUART CHARGER  
FUSELAGE DWG: 39179-01

REV'N	DATE	DRAWN	APPRVD	DESCRIPTION
<b>VR3 ENGINEERING LTD</b> MECHANICAL ENGINEERING & CUSTOM MACHINE DESIGN STRATFORD, ONTARIO, CANADA				
<small>THIS DRAWING OR THE INFORMATION CONTAINED HEREIN MAY NOT BE REPRODUCED WITHOUT PERMISSION FROM VR3 ENGINEERING</small>				
TAILFEATHER WELDMENT: TUBE KIT ASSEMBLY				
MARQUART CHARGER MA-5				
VERTICAL STABILIZER & RUDDER				
DRAWN: JJ	DATE: NOV 4, 08	PROJECT NO.	DRAWING NO.	REV NO.
'C' SCALE: 1:4		714-06	39180 sht2	X



PRELIMINARY DRAWING

REV'N	DATE	DRAWN	APPRVD	DESCRIPTION
<b>VR3 ENGINEERING LTD</b> MECHANICAL ENGINEERING & CUSTOM MACHINE DESIGN STRATFORD, ONTARIO, CANADA <small>THIS DRAWING OR THE INFORMATION CONTAINED HEREIN MAY NOT BE REPRODUCED WITHOUT PERMISSION FROM VR3 ENGINEERING</small>				
TAILFEATHER WELDMENT: TUBE KIT ASSEMBLY				
MARQUART CHARGER MA-5				
HORIZONTAL STABILIZER & ELEVATORS				
DRAWN: JJ	DATE: NOV 4, 08	PROJECT NO.	DRAWING NO.	REV NO.
'C' SCALE: 1:5		714-06	39180 sht3	X